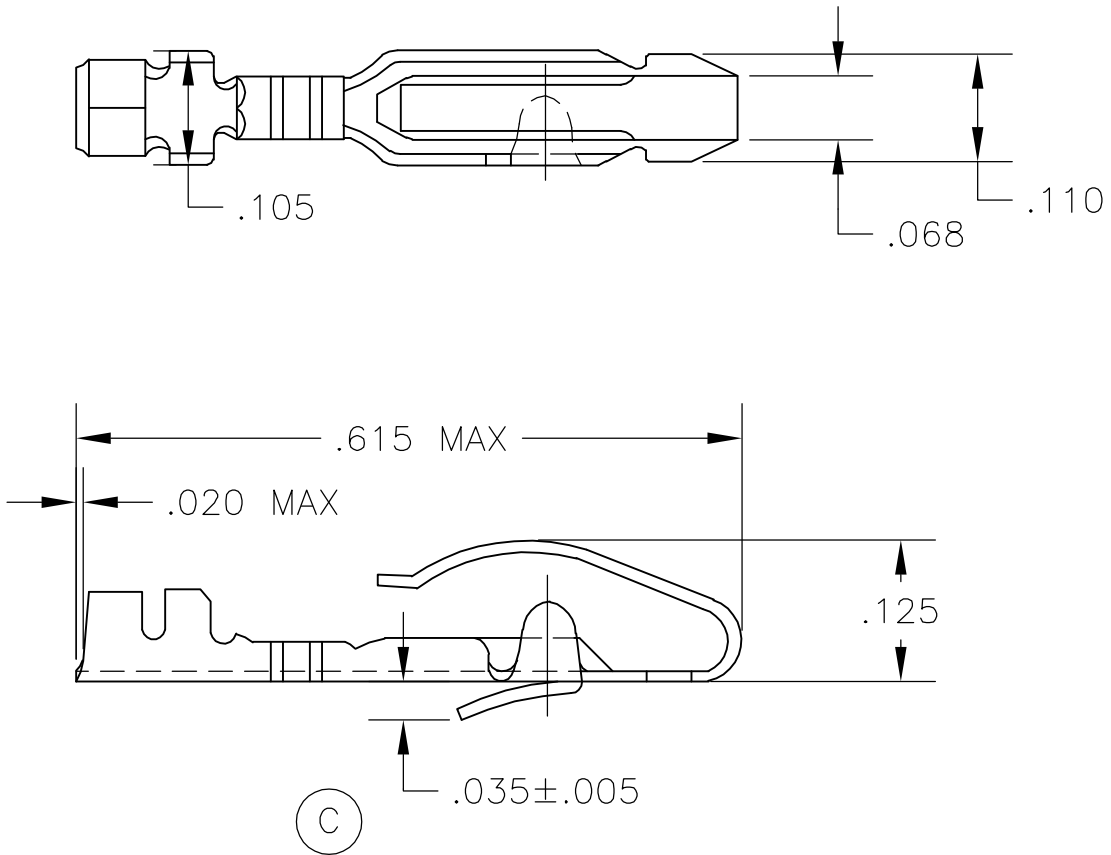


LOC	DIST	REVISIONS					
AD	00	P	LTR	DESCRIPTION	DATE	DWN	APVD
		E		ECO 05 003616	08APR06	BSV	MM



- 66084-1 1. AS SHOWN
- 66084-2 1. SAME AS -1 EXCEPT:
2. TIN PLATED.
- 66084-3 1. SAME AS -1 EXCEPT:
2. GOLD PLATED.
- 5-66084-2 1. SAME AS -1 EXCEPT:
2. MATTE TIN PLATED.

THIS DRAWING IS UNPUBLISHED.

ALL RIGHTS RESERVED.

COPYRIGHT BY TYCO ELECTRONICS CORPORATION.

THIS DRAWING IS UNPUBLISHED.

DIMENSIONS: INCHES	DWN	-	MATERIAL	PHOS. BRONZE	FINISH	-
	CHK	-	Tyco Electronics Corporation Harrisburg, Pa 17105-3608			
TOLERANCES UNLESS OTHERWISE SPECIFIED:	APVD	-				
0 PLC ± -	PRODUCT SPEC	-	NAME			
1 PLC ± -	APPLICATION SPEC	-	AMP LEAF USED FOR DUMMY TERMINAL			
2 PLC ± -		SIZE	CAGE CODE	DRAWING NO	RESTRICTED TO	
3 PLC ± .015	WEIGHT	-	A4	00779	C-66084	-
4 PLC ± -	CUSTOMER DRAWING			SCALE	5:1	SHEET 1 OF 1
ANGLES ± 1'				REV	E	

